

Universal meter board and accessory



K424

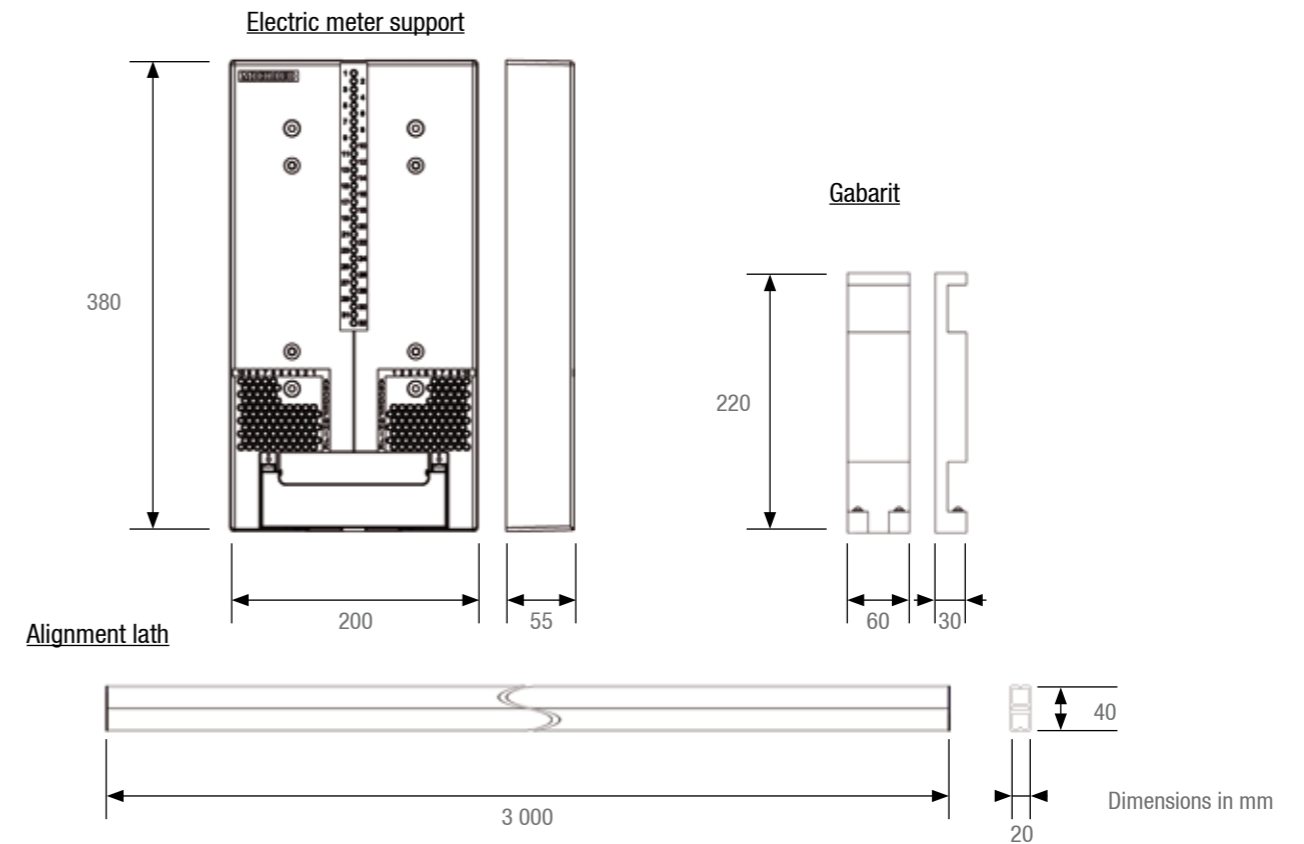
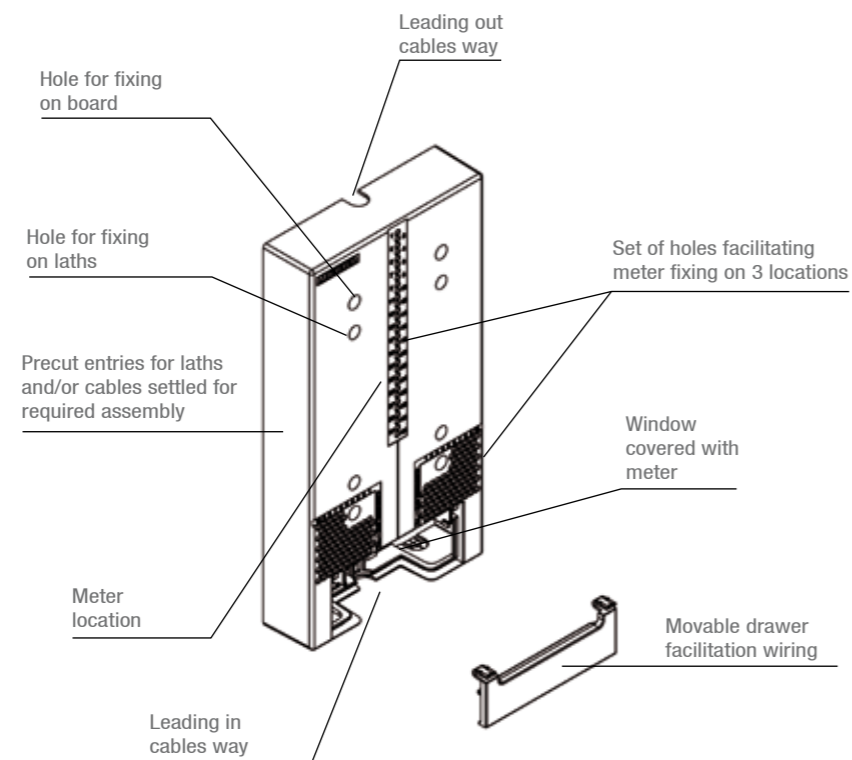
Application

This meter board is used to receive any residential type electric meter whether single phase, three phase or tetrapolar, equipped with a cable cover. It can be combined with pluggable or non-pluggable module type connection equipment.

Description

- The assembly is made of grey synthetic self-extinguishing materials (RAL 9035).
- The board is equipped with a removable clipped cover which is dismantable to make equipment wiring easier.
- The board is vertically fixed to a flat surface and possibly by means of alignment laths (see Accessories).
- When equipped with a tetrapolar meter, the board is IP4X on the front face and IK4.

The board is used to fix meters that meet the criteria of the **DIN 43857** standard.



Code	Designation	Weight (kg)	Sales unit
K424	SUPPORT FOR ELECTRIC METER + COVER	0.500	240
K425	COVER (FOR ELECTRIC METER SUPPORT)	0.080	1

Accessories

Code	Designation	Weight (kg)	Sales unit
K422	ALIGNMENT LATH (Length 3m)	1.500	270
K421	GABARIT FOR ALIGNMENT LATH	0.320	1

Comment: if the supporting wall is uneven, the meter board can be mounted using alignment laths. The laths are made from grey PVC. The gabarit makes it easier to assemble the laths and guarantee a centre-to-centre distance of 150mm between laths.

Installation

